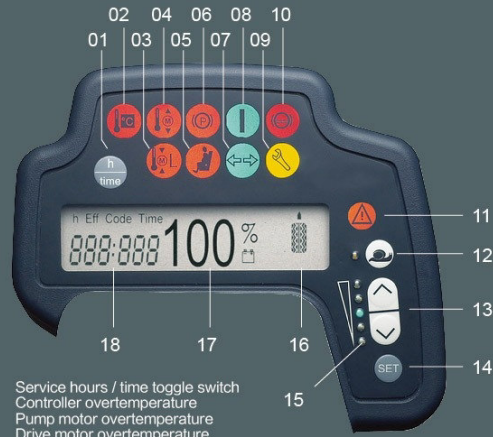


多功能显示屏可显示运行数据、电瓶状态、运行小时数、故障信息等各种信息。还可以图示的方式显示各种警告信息。

The multitask display shows the operating data, the battery charge, the service hours and error details and information. Graphic illustrations on the multitask display act as warning indicators.



- 01 转换键, 可在运行小时数与时钟之间切换
- 02 控制系统超温监测器
- 03 泵电机超温监测器
- 04 牵引电机超温
- 05 座椅开关
- 06 停车制动已启动
- 07 行驶方向显示
- 08 显示叉车处于工作状态(钥匙开关位于“开”)
- 09 保养指示灯/事故防范检查(UVV)指示灯
- 10 缺少制动液
- 11 亮起时显示出现故障, 闪烁时显示电瓶容量低于10%
- 12 缓慢行驶键
- 13 程序选择键
- 14 设置键
- 15 作业程序显示(程序1至5)
- 16 行驶方向及车轮位置显示
- 17 电瓶容量显示
- 18 显示时间和运行小时数, 或者显示故障及诊断信息

- 01 Service hours / time toggle switch
- 02 Controller overtemperature
- 03 Pump motor overtemperature
- 04 Drive motor overtemperature
- 05 Seat switch
- 06 Parking brake applied
- 07 Travel direction indicator
- 08 Truck operational (key switch ON)
- 09 Service display / UVV display
- 10 Brake fluid level too low
- 11 Lights up for errors or when battery capacity is less than 10%
- 12 Crawl speed button
- 13 Program selector
- 14 SET key
- 15 Operating program display (programs 1 to 5)
- 16 Travel direction and wheel position display
- 17 Battery capacity display
- 18 Time and service hours or diagnostics and error display

标准配置
Standard configuration

宽视野基本型门架	Wide view standard mast
标准货叉	Standard fork
II级货叉架	Class II standard carriage
两片多路阀	Two-spool control valve
蓄电池组	Battery
标准座椅	Standard seat
护顶架	Overhead guard rain cover
液晶组合仪表	LCD combined display
超弹性实心胎	Solid tires
牵引销	Traction pin
转弯自动减速	Automatic steering slow down device
前组合灯	Working lights, turning lights and
(大灯和转向灯)、刹车灯	braking lights (rear light)
挡货架	Load backrest
警示灯	LED Warning lights
倒车蜂鸣	Reversing buzzer
倒车镜	Rear View Mirror
OPS	OPS

选用装置
Optional device

额外的货叉	Additional pair of forks
不需要货叉	Without forks
外挂侧移器	Sideshifter -hung-up
整体侧移器	Sideshifter -integrated
无痕迹轮胎	Coloring tires(white)
加长货叉	Long forks
辅助液压阀组件	Accessory hydraulic component
风扇	FanSize 6", metal made, 3 speed modes



HELI 安徽合力股份有限公司
ANHUI HELI CO., LTD.

地址: 中国合肥经开区方兴大道668号
电话: (86 551)63632133, 63648005, 63689000
传真: (86 551)63633431
服务: 4001-600761
网址: http://www.helichina.com

ADD: NO.668 Fangxing Street, Economical
Development Zone, Hefei, P.R. China
TEL: (86 551)63632133, 63648005, 63689000
FAX: (86 551)63633431
400 SERVICE: 4001-600761
WEBSITE: http://www.helichina.com

授权经销商 AUTHORIZED DEALER

* 本公司保留更改产品设计和规格的权利, 恕不另行通知。
* Our products are subject to improvements and changes without notice.

1.6 t EFG系列
前驱三支点交流蓄电池叉车
EFG series Three Wheel
AC Electric Forklift Truck





EFG 1.6t 前驱三支点交流蓄电池叉车

Three Wheel AC Electric Forklift Truck



舒适性

Comfortable

- 台阶更低，方便登入、踏板的布置方式与汽车相同
- 悬浮式座舱可避免因路面不平行车震动对驾驶员的影响
- 全视角门架和货叉架保证了操作者在操作时拥有绝佳的视野
- 液压力转向精确，低阻力，并且无液压反冲
- 显示屏即时显示重要的车况信息
- Low access steps. Large, level foot well with automotive pedal lay-out.
- Floating cab module cushions road shocks and vibrations.
- Clear view: mast and fork carriage allow for excellent visibility of the load and of the road.
- Hydraulic power steering is precise, requiring the minimal amount of effort without kick-back.
- Comfort Display provides up-to-date information on vital vehicle conditions at a glance.

安全、无磨损的制动系统

Safe, wear-free braking

- 在倒车及使用刹车踏板时产生再生制动
- 湿碟式制动是叉车安全的保证，无磨损并完全密封
- Regenerative electric braking and regular brake pedal use.
- Multiple oil disk brakes act as a safety back-up. Wear-free and fully enclosed.

安全

Safety

- 弯道控制系统使叉车在转向时自动减速
- 超低的重心保证稳定性和较高的剩余荷载能力
- 液压及电子部分均有过载保护
- Curve Control automatically reduces travel speed when cornering.
- Very low centre of gravity improves stability and residual capacity.
- Electronic and hydraulic overload protection guard.



免维护电机

Maintenance free electric motors

- 可靠地三相交流电机技术：双驱动电机，液压马达，转向电机，具有高效，低能耗，维护费用低的优点
- 高输出扭矩，高作业效率
- 节能比直流电机高出15%
- 无碳刷、无集电器——无维护费用
- 所有电机完全密封，防护等级达IP54，因此使用寿命更长，即使是用于灰尘和湿度都很大的环境下
- Proven AC technology: 2 drive motors, hydraulic pump motor, steering motor. High performance, low energy consumption, less maintenance.
- High torque for rapid work cycles.
- Up to 15% higher energy efficiency than shunt motors.
- No brushes, no collector—no maintenance expense.
- Fully enclosed and protected to IP 54. Long life, even under dusty and damp conditions.

智能控制技术

Intelligent electronics

- 叉车上的显示控制面板实时控制车内所有的功能
- 可选择5种不同的应用程序以适应各种工况
- 诊断系统监控叉车所有部件并显示重要的维护数据，从而加快维修时间，降低维修费用
- 液晶显示器上可显示工时，电瓶电量以及提升切断，时钟，故障代码以及警报
- 转向轮当前位置显示
- Board Control electronic system permanently controls and monitors all truck functions.
- 5 application programmes can be individually adapted to ensure optimal performance in any application.
- Diagnostic system monitors all components and provides service data memory for rapid and cost-effective maintenance.
- Comfort Display with digital service hour meter (actual or cyclic duration factor), battery discharge indicator plus lift cut-out, clock, error code and warning displays.
- Electronic steer wheel position indicator.





EFG 1.6t 前驱三点交流蓄电池叉车

Three Wheel AC Electric Forklift Truck

- 采用全封闭交流电技术的电动叉车
 - 五种可单独设置的工作程序
 - 残余荷载能力高
 - 弯道控制功能可确保安全的行驶和转弯性能
 - 免维护的多片式制动器
- 3-phase, heavy-duty fork lift truck with enclosed, twin motor front-wheel drive
 - Five individually adjustable operating programs
 - High residual capacity
 - Curve Control for safer travel and cornering
 - Maintenance-free multi-disc brakes





EFG 1.6t 前驱三点交流蓄电池叉车

Three Wheel AC Electric Forklift Truck

制造商和技术参数 Manufacturer's Data and Design Characteristics

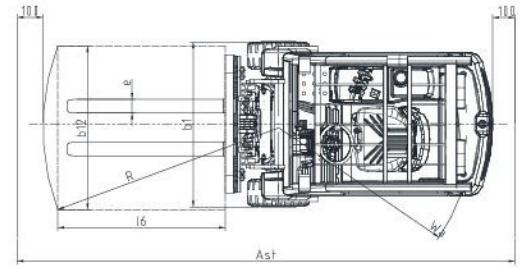
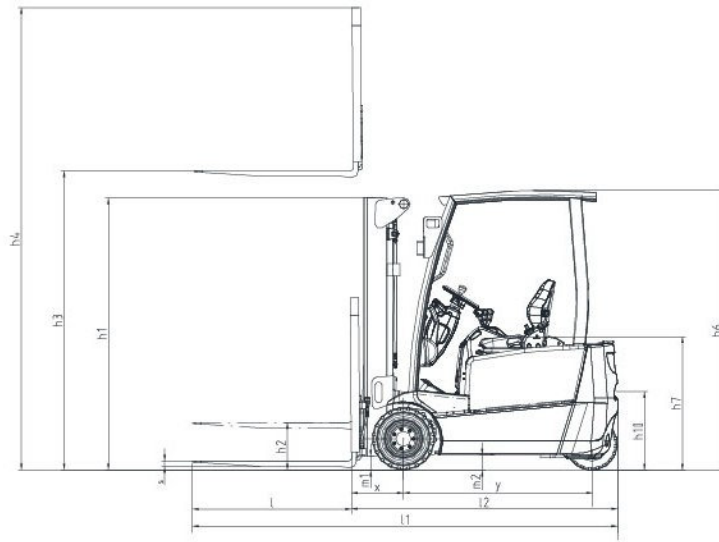
特性	Character			
1.1 制造厂商 (简称)	Manufacturer (short form)			Jungheinrich
1.2 型号	Model			EFG 216kn
1.3 驱动方式	Drive			Electrics
1.4 操作方式	Manual, pedestrian, stand-on, seated, order picker operation			Seat
1.5 额定载荷能力	Load capacity/rated load	Q	t	1.6
1.6 荷载中心距	Load centre distance	c	mm	500
1.7 前悬距	Load distance	x	mm	352 (note 1)
1.8 轴距	Wheelbase	y	mm	1357
	重量			
	Weight			
2.1 自重, 包含电瓶重量 (参见6.5行)	Net weight incl. battery (see row 6.5)			2990
2.2 满载轴负荷, 前/后	Axle load, w. load, front / rear			4015/575
2.3 空载轴负荷, 前/后	Axle load, w.o. load, front / rear			1410/1580
	轮胎			
	Tyres			
3.1 前轮尺寸	Tyre size, at front			SE/SE
3.2 后轮尺寸	Tyre size, at rear			18x7-8
3.3 车轮数量, 前轮/后轮 (x = 驱动轮)	Wheels number, front/rear (x = driven wheels)			140/55-9
3.4 前轮轮距	Track width, front	b10	mm	2x2
3.5 后轮轮距	Track width, rear	b11	mm	904
	尺寸			
	Size			
4.1 门架/货叉架倾角, 前倾/后仰	Tilt of mast/fork carriage forward/backward	α / β	°	7/5
4.2 闭合门架高度	Mast height (lowered)	h1	mm	1960
4.3 自由提升高度	Free lift height	h2	mm	100
4.4 提升高度	Lift height	h3	mm	3000
4.5 伸展门架高度	Extended mast height	h4	mm	4220
4.6 护顶架高度 (驾驶室)	Height of overhead guard	h6	mm	2000
4.7 座位高度	Seat height/stand height	h7	mm	950
4.8 挂钩高度	Coupling height	h10	mm	560
4.9 挂钩2高度	Coupling 2 height	mm	mm	0
4.10 总长度	Overall length	l1	mm	3049
4.11 车体长度, 不含货叉长度	Length incl. back of forks	l2	mm	1899
4.12 总宽	Total width	b1/b2	mm	1060
4.13 货叉尺寸	Fork dimensions	s/e/l	mm	40/100/1150
4.14 货叉架, 根据ISO 2328, 等级/类型A, B	Fork carriage ISO 2328, class/type A, B			2A
4.15 货叉架宽度	Fork carriage width	b3	mm	980
4.16 门架下方离地间隙	Floor clearance with load under mast	m1	mm	80
4.17 轴距中心离地间隙	Floor clearance centre wheelbase	m2	mm	90
4.18 工作通道宽度, 1000x1200托盘 (1200跨货叉放置)	Aisle width for pallets 1000 x 1200 sideways	Ast	mm	3224
4.19 工作通道宽度, 800x1200托盘 (1200沿货叉放置)	Aisle width for pallets 800 x 1200 lengthways	Ast	mm	3348
4.20 转弯半径	Turning radius	Wa	mm	1545
4.21 最小旋转点间距	Smallest pivot point distance	b13	mm	0
	性能			
	Performance			
5.1 行驶速度 (满载/空载)	Travel speed, w. / w.o. load			km/h
5.2 起升速度 (满载/空载)	Lift speed, w. / w.o. load			m/s
5.3 下降速度 (满载/空载)	Lower speed, w. / w.o. load			m/s
5.4 挂钩牵引力 (满载/空载)	Drawbar pull w. / w.o. load			N
5.5 最大挂钩牵引力 (满载/空载)	Max. drawbar pull w. / w.o. load			N
5.6 爬坡性能 (满载/空载)	Gradeability laden/unladen			%
5.7 最大爬坡性能 (满载/空载)	Max. gradeability laden/unladen			%
5.8 加速时间 (满载/空载)	Acceleration laden/unladen			s
5.9 行车制动器	Service brake			Hydraulic/Mechanic
	电机和控制器			
	Motor and controller			
6.1 驱动电机功率 (S2 60分钟)	Drive motor, output S2 60 min.			kW
6.2 提升电机功率 (S3 15%功率)	Lift motor, output at S3 15%			kW
6.3 电瓶符合DIN 43531/35/36 A、B、C, 无	Battery according to DIN 43531/35/36 A,B,C, no			A 43531
6.4 电瓶电压/额定容量K5	Battery voltage/nominal capacity K5			V/Ah
6.5 电瓶重量	Battery weight			kg
6.6 电瓶尺寸 长/宽/高	Battery size length/width/height			mm
6.7 VDI循环测试能耗	Energy consumption according to VDI cycle			kWh/h
	驱动控制类型			
	Type of drive control			
7.1 属具的工作压力	Working pressure for attachments			bar
7.2 属具液压油流量	Oil flow for attachments			l/min
7.3 驾驶员耳边噪音水平 根据EN 12053	Sound pressure level at operator's ear as per EN 12053			dB (A)
7.4 挂钩, 类型/型号DIN	Trailer coupling, model/type DIN			15170/type H

备注: 1. ZSMI门架 x=377mm; 整体式侧移器: M门架 x=385mm, ZSMI门架 x=410mm; 外挂式侧移器: M门架 x=410.5mm, ZSMI门架 x=435.5mm。2. 每小时45个VDI工作循环。

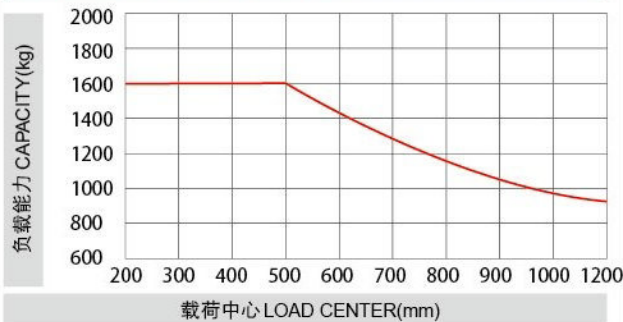
这张根据VDI标准2198制定的数据只标示了标准机型的技术参数, 非标的轮胎, 不同的门架及附属的装置等都会改变以上数值。HELI保留更改以及技术更新的权利。

Note: 1. ZSM mast x=377mm; integral side shifter: M mast x=385mm, ZSM mast x=410mm; Hung-up side shifter: M mast x=410.5mm; ZSM mast x=435.5mm。2. 45 VDI working cycle per hour.

This data based on the VDI standard 2198 only marks the technical parameters of the standard model; non-standard tires, different mast types and ancillary devices will change the data above. HELI reserves the right to improvements and technology update.



载荷曲线图 LOAD CURVE



EFG 216kn

注：竖轴表示承载量，横轴表示载荷中心。载荷中心是从货叉正面计算起，标准载荷的基点是指负荷边长为1000毫米的立方体中心位置。当门架前倾、使用非标准货叉或装载超过正常宽度的负荷时，将会使承载量减少。通过负荷曲线图，能及时地了解标准门架在各种载荷中心时的承载能力。

Note: The vertical axis stands for load capacity and the horizontal axis stands for load center which is calculated from the front surface of the forks to the gravity of the standard load. the standard load means a cubic with 1000mm edge length. When mast is tilted forward, using non-standard forks or loading large goods, the load capacity will be reduced. The load capacity of standard mast at different load center can be known from this load chart.

宽视野基本型门架 WIDE VIEW MAST

门架型号 mast model	最大起升高度 Max. lifting height mm	承载能力 (载荷中心为500mm) (kg) load capacity (load center 500mm)		门架全高(货叉落地)(mm) mast overall height (fork to the ground)	自由起升高度 (mm) free lifting height	门架倾角 mast tilt angle (deg.) α/β
		1.6t	2t			
M300	3000	1600	2000	2025	100	75
M330	3300	1600	2000	2175	100	75
M360	3600	1600	2000	2325	100	75
M400	4000	1600	2000	2525	100	75
M450	4500	1500	2000	2825	100	75
M500	5000	1400	1700	3075	100	75

二级全自由门架 WIDE VIEW FULL 2-STAGE MAST

门架型号 mast model	最大起升高度 Max. lifting height mm	承载能力 (载荷中心为500mm) (kg) load capacity (load center 500mm)		门架全高(货叉落地)(mm) mast overall height (fork to the ground)	自由起升高度 (不带挡货架) (mm) free lifting height (without backrest)	门架倾角 mast tilt angle (°) α/β
		1.6t	2t			
ZM300	3000	1600	2000	2025	1545	75
ZM360	3300	1600	2000	2325	1695	75
ZM400	3600	1600	2000	2525	1895	75

三级全自由门架 WIDE VIEW FULL 3-STAGE MAST

门架型号 mast model	最大起升高度 Max. lifting height mm	承载能力 (载荷中心为500mm) (kg) load capacity (load center 500mm)		门架全高(货叉落地)(mm) mast overall height (fork to the ground)	自由起升高度 (不带挡货架) (mm) free lifting height (without backrest)	门架倾角 mast tilt angle (°) α/β
		1.6t	2t			
ZSM450	4500	1550	1900	2005	1445	75
ZSM480	4800	1500	1750	2105	1545	75
ZSM500	5000	1400	1650	2180	1620	75
ZSM550	5500	1250	1400	2355	1795	75
ZSM600	6000	1000	1200	2555	1995	75
ZSM650	6500	800	950	2805	2245	75